

**I.Combo™  
Full LED Exit Emergency Combo  
with Battery Back-up**



Introducing the most advanced and most efficient emergency exit sign in today's marketplace.

**Intended Use**

Suitable for applications requiring exit signs and emergency exit lighting. Slim, sleek design at less than 10 inches tall is great for above the door applications and other small areas.

**Construction**

Engineering-grade thermoplastic housing resists impact, scratches, and corrosion with an UL94-5V0 flame rating. UV-stable virgin white resin resists discoloration from light sources of all types.

Housing snaps together for a tool free installation. Faceplate and back cover are interchangeable on the sign. Faceplate tabs securely fasten the faceplate to the housing and can be easily removed to allow access to the sign's interior. Universal, directional chevron inserts are removable.

Two super bright, high power LED heads swivel 320° to provide flexibility and light where desired. The LED emergency lighting heads low profile provides an attractive sign that does not interrupt the interior design of the site.

"Exit" letters are evenly illuminated with no shadows or hot spots. Letters are 6" high and ¼ stroke.

**Ordering Information**

Please provide the model number for the emergency exit sign and specifications desired. Ex: ITIEXCBR or ITIEXCBG. Please see below for nomenclature examples. Bolded items come standard.

ITIEXCB		Letter Color		Number of Faces		Housing Color		Options	
Family		R	Red	(blank)	Single face with extra faceplate and color panel	(blank)	White	(blank)	Maintenance-free nickel cadmium battery
ITIEXCB	<b>LED type, two LED heads</b>	G	Green			<b>B</b>	<b>Black</b>		

Catalog Number	
Notes	Type

**Lamp**

LED life exceeds 25 years, based on continuous operation. Overall energy consumption for the sign is extremely low at less than 1W. This represents an 80% energy savings over incumbent exit and emergency combination signs.

**Battery**

Battery back-up delivers 90 minutes capacity to emergency LED heads. Batteries will automatically recharge after the 90 minute discharge.

Exit sign comes with a TEST switch and red-indicator LED to provide both a visual and manual means to monitor the system operation. Slip-on battery terminals and polarized battery connector make installation simple and quick. Please see chart on back for additional details.

**Installation**

Top, side or back mounting. Housing installs to the canopy using snap installation. Canopy installs easily to J-Box bracket. See installation instructions for details.

Dual input voltage allows the choice between 120V or 277V.

**Listing**

UL Listed for damp location. Meets UL924 illumination standards.

**Warranty**

One year total customer satisfaction warranty, including LED lamps.

## I.Combo™ Full LED Exit Emergency Combo with Battery Back-up

Catalog Number

Notes

Type

### Electrical Primary Circuit

	Rated LED Life	Supply Voltage	Max. Amps	Max Watts
Red LED	25+ Years	120/277	0.030 /0.027	<1W
Green LED	25+ Years	120/277	0.029 /0.027	<1W

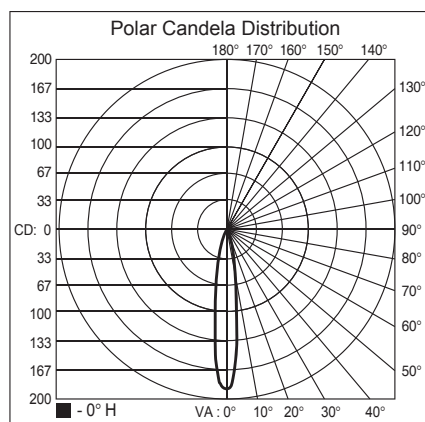
### Battery

	Voltage	Shelf Life <sup>1</sup>	Expected Life <sup>1</sup>	Maintenance	Optimum Temperature <sup>3</sup>
Ni-cad (NI)	8.7 Vdc	3 years	7-9 years	None <sup>2</sup>	32° to 100°F

**Notes:**

1. At 77°F.
2. Periodic system status testing is recommended.
3. Optimum ambient temperature range where unit will provide 90 minutes emergency lighting. Temperature variations will affect capacity. Consult factory for detailed information.

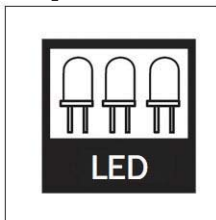
### Photometrics



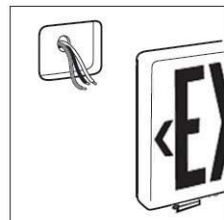
**Notes:**

Max center beam intensity is 190 cd for each LED Emergency Head.

### Key Features



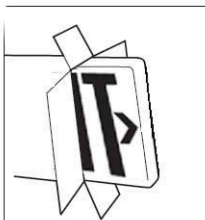
Green or Red LEDs reduce power consumption to < 1W.



Easy installation. Save time and labor by installing only one fixture.

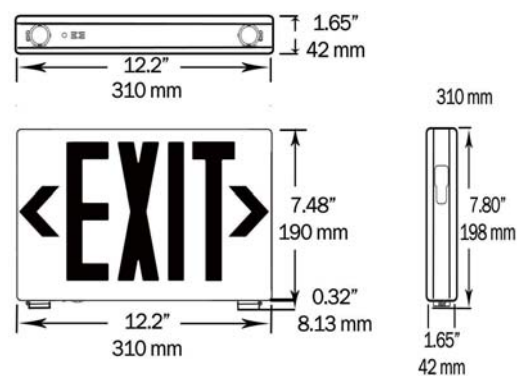


Sleek, slim combo heads provide an attractive profile.



Only 20% the size of other combos. Save storage and shipping costs.

### Dimensions



All dimensions are inches or millimeters.  
Shipping weight: 3 lbs (1.36 kgs).

### Fixture Performance

Each LED emergency head can rotate 320° and tilt 60° to provide light where needed. LED emergency heads can be adjusted to meet the requirement for 3 ft path of egress at 1FC. Adjustable heads meet the Life Safety Code requirement at 0.1FC.

**Notes:**

1. Coverage is 7 ft at 1FC and 16 ft at 0.1FC. Combining both LED heads will achieve over 6FC illuminance on the ground.
2. Assumes open space with no obstructions, mounting height 7.5', ceiling height 9', and reflectances of 80/50/20.